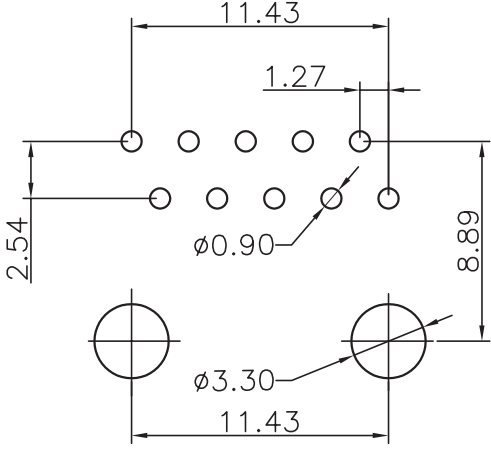
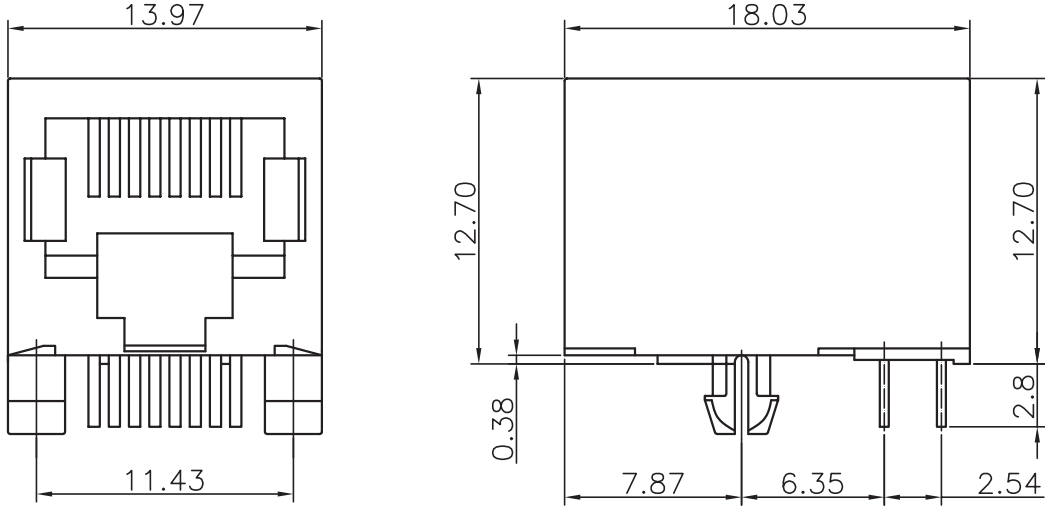


SPECIFICATIONS

- Current Rating: 1.5 Amps
- Insulator Resistance: 1000 Megohms min.
- Contact Resistance: 20 m ohms max.
- Dielectric withstanding: AC 500V
- Operating Temperature: -25°C~+105°C
- Contact Material: Copper Alloy
- Insulator Material: Polyester, UL 94V-0, P.B.T.
- Finish: Gold Plating



TOP VIEW
RECOMMENDED PCB LAYOUT

AMJ-30510X XXX-G

Color
0=Black
8=Gray

RoHS Compliant
Contact Plating

Definition	Code
Selective Gold Flash:	V01
6u" Gold:	V14

APTOS Technology CONFIDENTIAL
This document, and all information it contains, are the confidential, proprietary property of APTOS Technology. Disclosure, duplication or distribution of this document, or any information it contains, in whole or part, without prior written permission from APTOS Technology is strictly prohibited

GENERAL TOLERANCE UNLESS OTHERWISE SPECIFIED	
xxx. ± X	.xx ± 0.15
xx. ± X	.xxx ± X
x. ± X	x' ± 3'
.x ± 0.25	.x' ± X'
REV. A	DRAWN
DATE 09/17/08	CHECKED
SCALE As shown	APPROVED
UNIT mm	



09/17/08	AMJ Series
	Modular Jack, 10P10C, w/o Panel
	PRODUCT NO. AMJ-30510XXXX-G
SIZE A4	FILE NAME: AMJ-305-G LF APD.DWG